

Analog Switch – Fine-Signal Switch

AS1

Characteristics::

- **Two-channel**
- **One changeover contact per channel**
- **Contact load +/-15VDC/0...30mA**
- **Per channel 1 status display**
- **Unlimited switching rates**
- **Contact resistance < 20 Ohm**
- **Fast switching time of max. 0,1ms**
- **Supply 24VDC**
- **Mountable on 35mm cap rail TS35**
- **Clear terminal labeling**
- **Narrow design**
- **Shape 17,5mm, super low**
- **PB – Power-Bus compatible**
- **High reliability, 5 years warranty**



Description:

The devices of the series AS1 have been developed for switching very small signals like set values or measurement values.

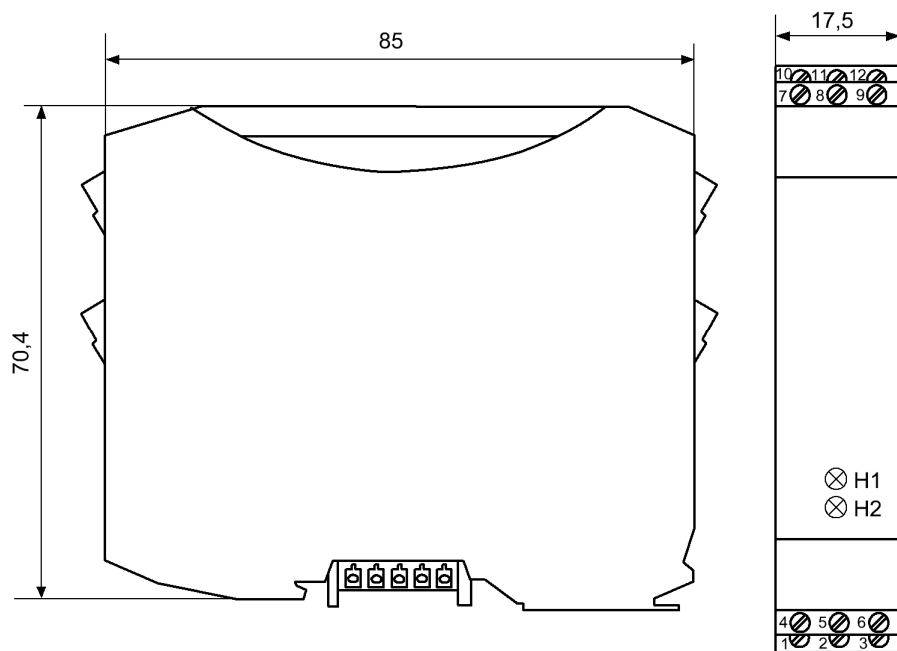
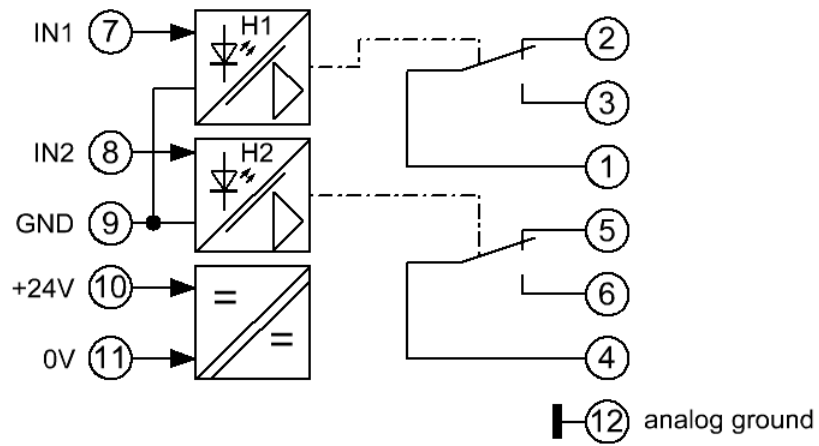
Each of the two inputs drives one changeover. The switch contacts are semiconductors, therefore are unlimited switches possible and load currents of 0...30mA. One LED per input displays the switch condition

Application:

MSR-technology, process technology, switching very small signals like set values or measure values.

Order Code:

AS1-1



Technical data:

Supply:

Supply voltage : 19, 2...30VDC, Ripple ≤ 5%
Power consumption : < 1VA

Driving:

: 15...30VDC, 4...8mA

Outputs:

Voltage : Max. +/-15VDC
Current : 0...30mA per changer
Response time : < 0,1ms
Release time : <0,1ms
Contact resistance : < 20 Ohm
Switching operations : unlimited
Insulation voltage : 750V
Leak current : < 0, 01µA

General data:

Operating temperature : 0...50°C
Storage temperature : -25...+85°C, condensation before putting into operation is not allowed
CE conformity : EN 61326-1, EN 61000-4-2/3*/4/5/6*, EN 61000-6-4
* during measurements are small deviations possible

Body:

Dimension : see drawing, 17,5mm adjoin body, 17,5x70,4x90,5mm (with terminals)
Material : PA / V0
Protection category : IP20
Connection : M3-screw-type terminal 0, 14 – 2,5mm², flexible or inflexible
Fixing : Snap-on mounting for norm rail TS35
Weight : 69g
Mounting position : As you like

Note on safety:



Disconnect the power supply before attempting to open the unit.

During the operation of this module it is possible that parts of the module, even there is extra-low voltage, (for example shunt measurement) are under dangerous voltage! Therefore a non-observance of this caution may cause damage of property or physical injury.

Only trained qualified personnel should install or operate the unit. Before installation the qualified personnel should read the documentation and should familiarize themselves with the unit.

If there is visible damage to the body of the unit it should be immediately replaced and not put into operation.



Please ensure that there is a sufficient prevention against electrostatic discharge during installation of the unit.

Installation Information:

Pay attention and make sure the unit is far away from mounted sources that may disturb the device such as magnetic coils, transformers, frequency converters etc.

Wiring advise:

Use only shielded cables. The shield is to be connected extensively to earth. Do not mix power- and signal-wires/cables in the same cable tray.

Limited guarantee:

The LEG Industrie-Elektronik GmbH warranted that the product does not have any material or processing defects in a period of 5 years after date of delivery.

It is up to the choice of LEG to repair or to exchange an inoperative unit.

Subsequent damages or any claim for indemnification above the functionality of the unit are excluded.

This limited warranty is only valid if ...

1. the product was installed and put into operation according to the LEG operation documentation;
2. the technical configuration of the power supply was abided;
3. the product was not used for unintended purposes;
4. there were no unauthorized modifications or manipulations, misuse or repairs without previous agreement from LEG .

Our Terms of Trade are based on the "General Conditions for the supply of products and services of the Electrical and Electronics Industry" including the "Complementary Clause: Extended Reservation of Property" of the ZVEI e.V. (German Association of Electrical Manufacturers).

Miscellaneous:

We expressly reserve the right, without previous notice, to correct errors contained in any data of this information brochure, and to make alterations to the program and technical modifications.